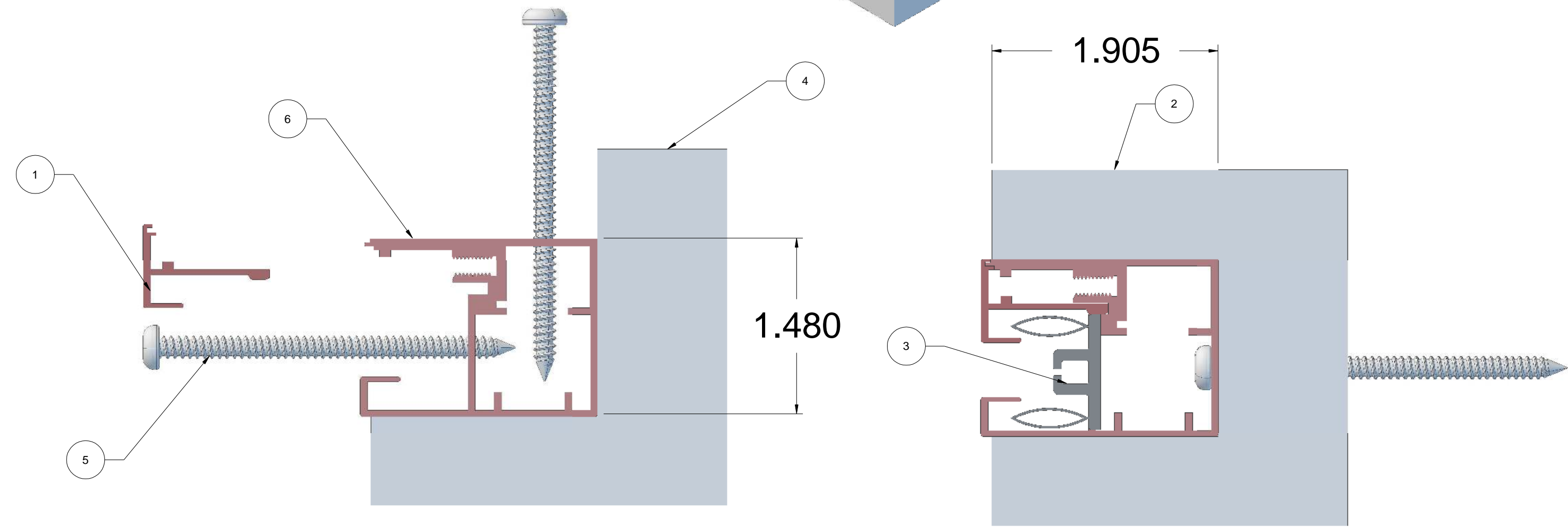
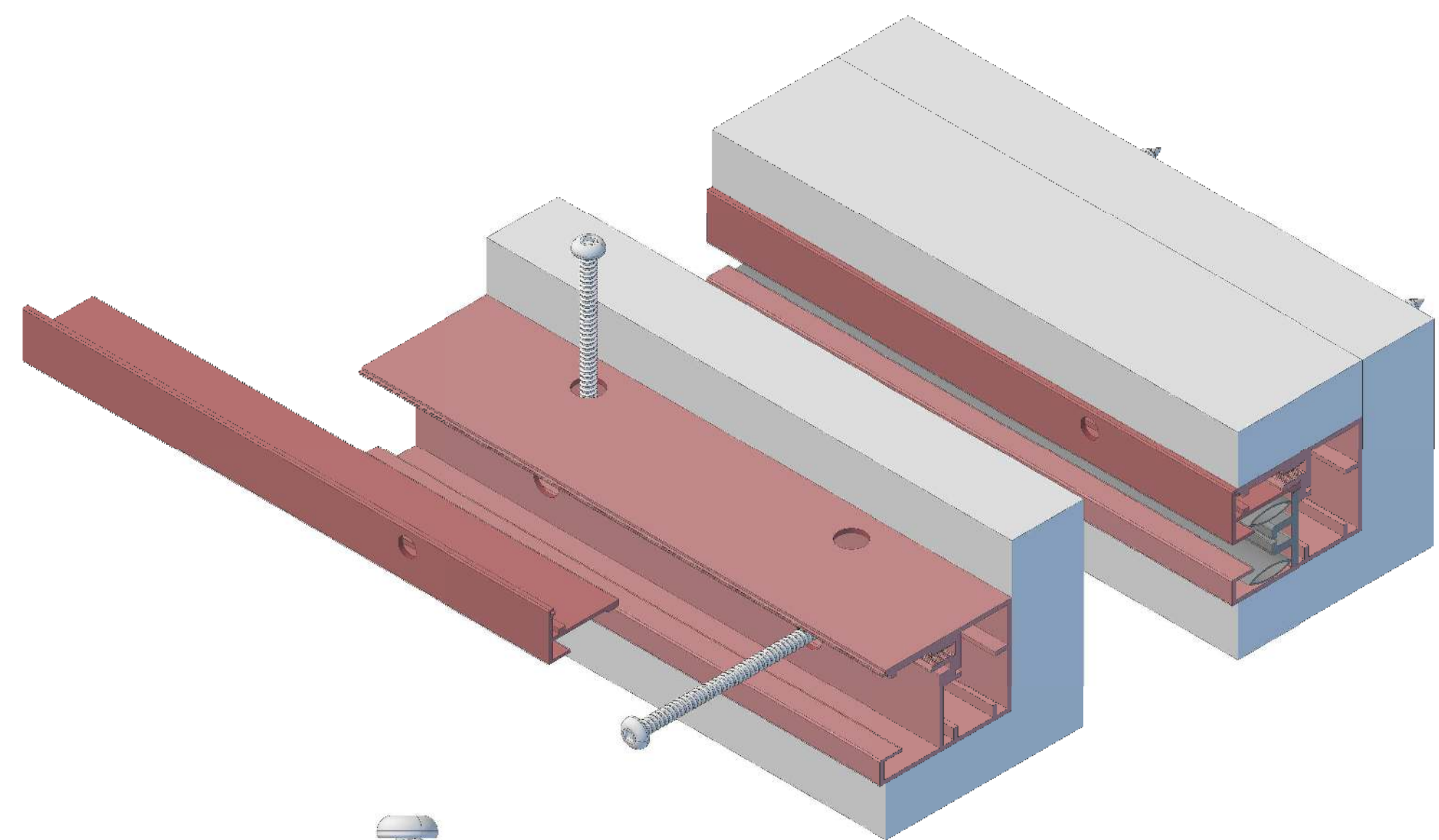


REVISIONS				
ZONE	REV	DESCRIPTION	DATE	APPROVED



Item Number	Quantity	Part Number	Part Name	Revision	Comment
1	2		solution rail recessed cover 1-25-1		
2	1		Solution Rail Built-In BLOCK 2		
3	1		Solution Screen Gasket		
4	2		Solution Rail Built-In BLOCK		
5	4	94155A149	94155A149		
6	2		solution rail recessed base 1-25-1		

DRAWN JLH	DATE 11-12-15	SOLUTION RAIL BUILT-IN ASSEMBLY			
	CHECKED				
QA		SIZE C	FSCM NO.	DWG NO.	REV
MFG		SCALE 1:1			SHEET 1 OF 1
APPROVED					